



### FULL AUTOMATION OF THE BATCH CYCLE



The electric version of Pedrotti dryers can reach a high level of complete automation with the feature "Mastermatic". It includes the automatic stop at the end of the batch cycle; the start of the unloading through a motorized flap and the restarting of the new load once completed the unloading of the product. The system allows in an easy and very understandable way even to set the definitive stopping of the machine after a pre-selected number of batches.

The control panel and the settings can be controlled easily through a modern PLC unit, whose TOUCH SCREEN display is perfectly integrated in the control panel of the machine.

### FULL HOT-DIP GALVANIZATION



This hot-galvanized frame is an addition to all the other components that we already supply with hot galvanizing (pipe and basin of the loading screw, pipes of the middle vertical screw and others).

The complete galvanization process is done with a full immersion of the frame in a bath of molten zinc at a temperature of around 840 °F (449 °C).

The galvanizing protects steel by acting as a barrier between steel and the atmosphere, keeping your machine protected also in the most extreme conditions.

This Pedrotti dryers frame is COMPLETELY GALVANIZED, not just assembled with several galvanized parts. This means true quality and duration in time.

### PEDROTTI BASIC 55 TECHNICAL DATA

#### BATCH CAPACITY

Tons wet maize 5.5 (8.5 m )  
**AVERAGE DAILY OUTPUT** 24h in tons  
 Maize from 28% to 14% 25  
 Wheat/Barley from 20% to 15% 35  
 Oil seed rape from 14% to 9% 33

#### POWER REQUIRED

Model Pto drive - Tractor min. size of HP 35  
 or single electric drive motor 22,5 kW (30 HP)

#### BURNER

Diesel, Automatic twin stage (Gas as option)  
 Caloric power Kcal/h max. 320.000

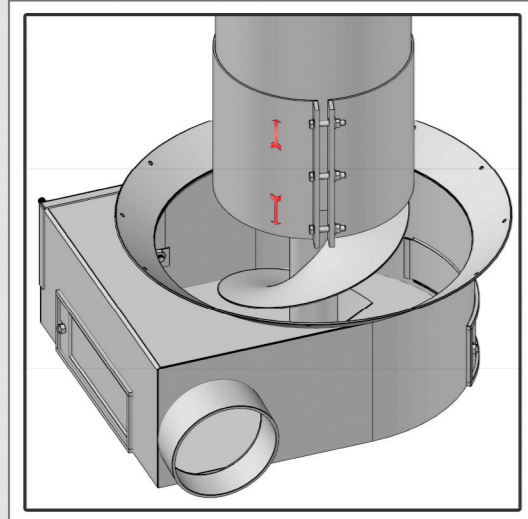
| Model electric drive - Mains supply line of kW 13 |      |      |
|---|------|------|
| Size main electric motor                          | (kW) | (HP) |
| - fan   | 5.5  | 7.5  |
| - central auger                                   | 7.5  | 10   |
| - filling auger                                   | 4    | 5.5  |
| - dust extractor                                  | 2.2  | 3    |
| - burner  | 0.75 | 1    |



## BASIC 55

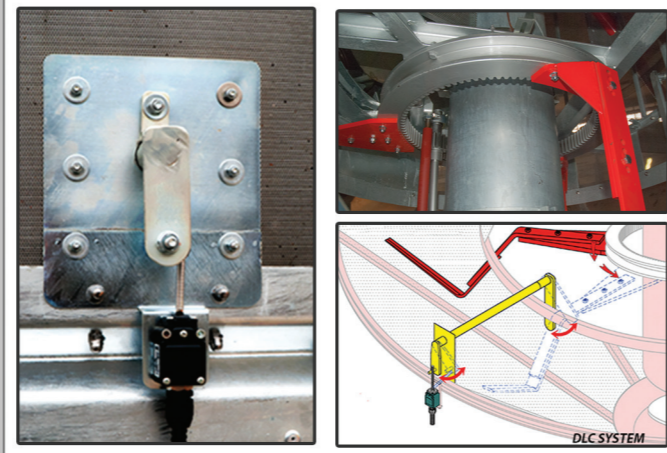
FULL HOT-DIP GALVANIZED





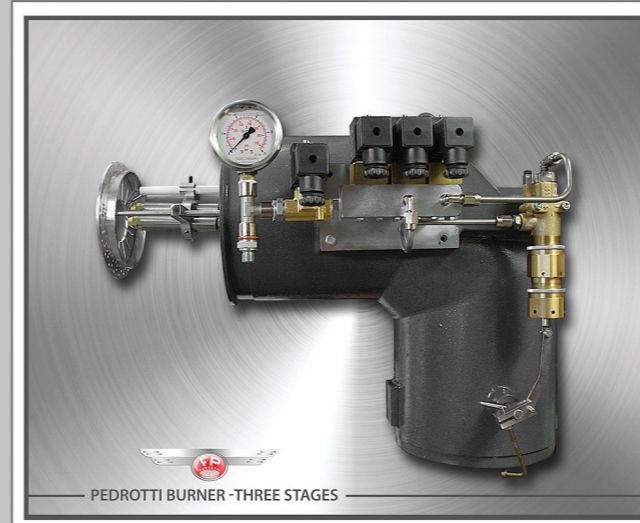
### GALVANIZED CENTRAL AUGERS ADJUSTABLE COLLARS

The galvanized collar on centre auger tube consents to suit different crops and moistures very easily. Lifting it up or down it is possible to adjust it according to your specific needs.



### ULTRA-STRONG TOOTHED GEARS AND AGITATORS WITH DLC

Pedrotti uses ultra-strong internal gears and agitators to resist the extreme strain produced by a high level of moisture in the crops. Furthermore, in order to prevent the risk of overheating, the drier is equipped with a permanent Driving Line Control (DLC) safety system, an efficient mix of mechanical units matched with an electronic board.



### PEDROTTI DOUBLE STAGE MODULATING BURNER

The "modulating" operation under the control of a PLC unit enables the burner to work from minimum to maximum delivery fully automatically until complete switch off and renewed automatic switching on, if necessary. This system makes it possible to use the dryer with different products requiring varying and very different drying temperatures, without needing to replace the burner nozzles. This operation is generally considered difficult and critical by those using the dryer. When burners have a "modulating function", the operator has only to set the drying air temperature on the control panel for the cereal that he wants to dry.



### GALVANIZED AUGERS TUBES

Pedrotti uses for its augers tubes, a Carbon steel C430 (S275J10 EN 10025-2:2004), 4 mm of thickness before being fully galvanized. By total galvanization, we give an additional thickness of 1 mm and therefore a longer life.

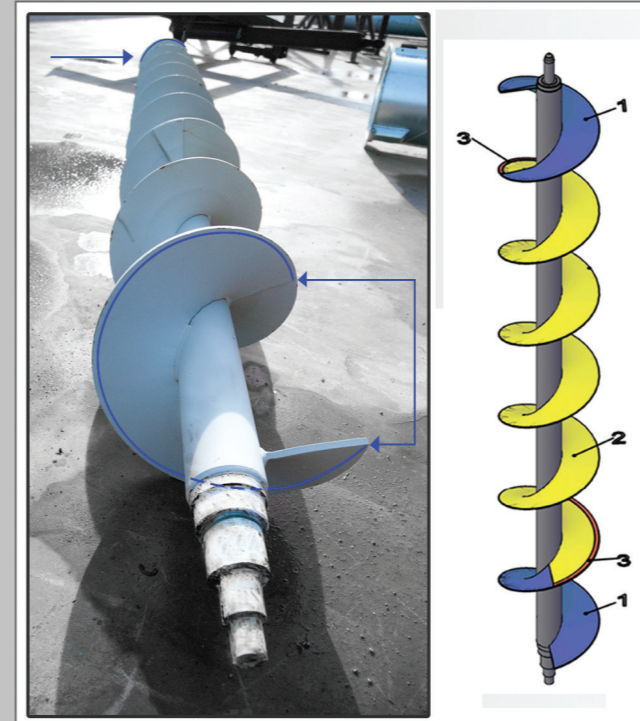


### ICORENE® TANKS

Pedrotti uses special 100% ICORENE® 1613 BK85 tanks. This premium quality black powder has been used in the production of diesel fuel tanks on tractors, harvesters, trucks, buses and many more vehicle types. This material reduces

drastically the risks of fuel explosion according to the CE dispositions, while metal tanks can produce internal sparks in cases of external shocks that can result as an ignition of the fuel.

Furthermore ICORENE® grants the absence of condensate in the tanks during cold months and then the security of the perfect conditions of the fuel, that is not possible to have with metal tanks.



### SPECIAL CENTRAL AUGERS

Instead of increasing the thickness of the central augers, which would increase also the required power of the motor and the electricity consumptions, Pedrotti prefers to use more hard and noble metals. Pedrotti dryers have central augers with three different zones (see the picture on the left)

1. Hardox steel segment, thickness 8 mm, 425 min. / 475 max. HBW (Brinell Hardness).
2. Standard carbon steel thickness of the spiral foot is 12 mm and thickness of the spiral ridge is 6 mm.
3. Weld bead on the ridge for one turn around the auger.

POWER REQUIRED 7,5 kw  
DIAMETER 280 mm  
CAPACITY 45 Tons/h

### TECHNICAL DIMENSIONS

